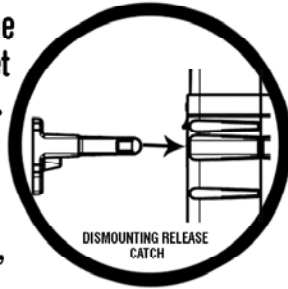


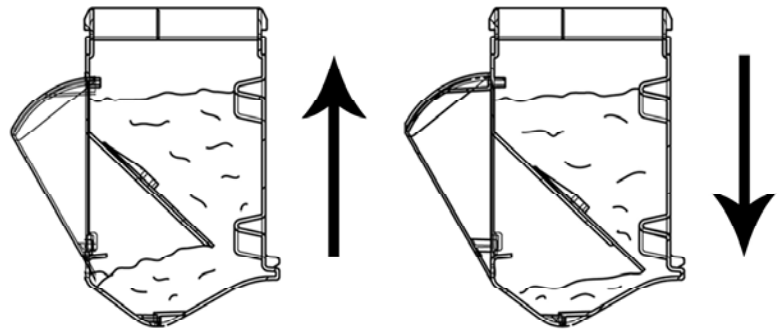
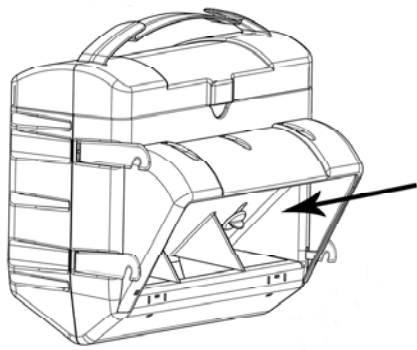
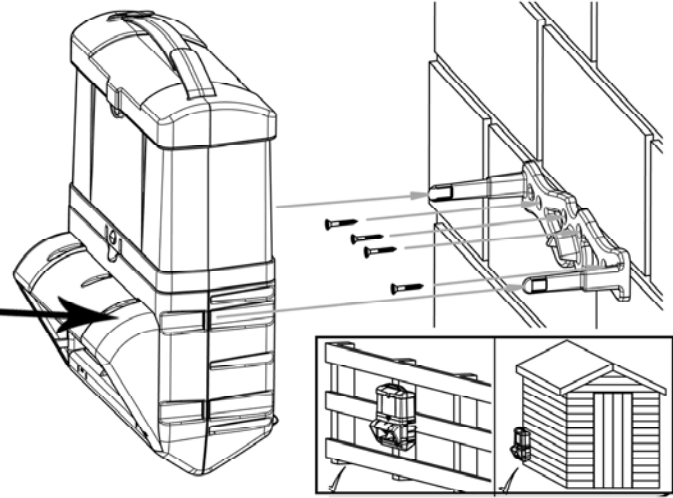
WISE

MOUNTABLE FEEDER FITTING INSTRUCTIONS

The Wise Mountable Feeder design allows it to be fixed to almost any stable vertical surface. Simply use the screws provided to attach the bracket to the vertical surface of your choice.

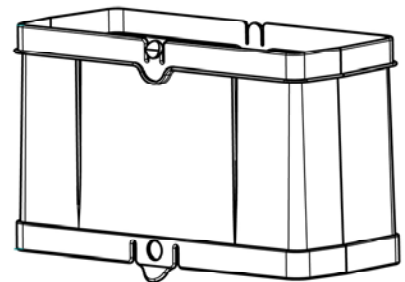
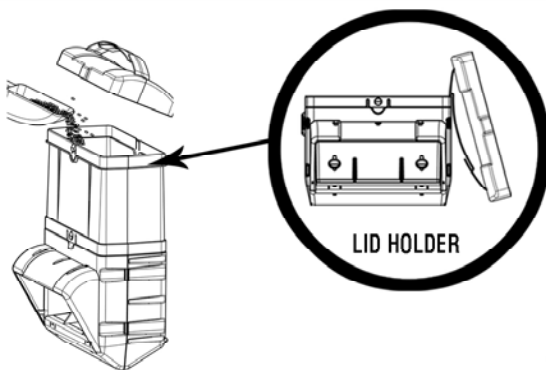


Then clip the feeder on to the bracket, and slot the arms into place.



You can adjust the feed level or completely close the feed

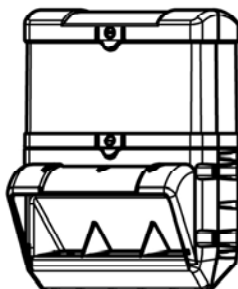
The design also gives constant access to the lid allowing you to check levels and refill the feed whenever required



Additional Extension cartridges are available to be bought separately as your flock grows

Inside the Box

10 Kg Feeder with lid and hood



Brackets and Screws

